

SPACE SERIES HIGH BAY

BY



Infinitum Energy

LED Lighting and Solar Systems

INTRODUCTION



Space series high bay is a patent product designed by famous Germany designer. Heat sinker is pure aluminum material (Thermal conductivity 226W/m.k), cold-forging production and electrophoresis surface treatment. Good heat disipation, light weight and good anti-corrosion. Lifespan can reach up to 54000H, with lumen output keep 78.24%.

PRODUCT FEATURES

- UGR of the light with lens is lower than 25
- The life span of the light is 54000 hours and its maintenance is 78.24%
- radiator is made of 1070 pure Aluminum,good heat dessipation,the weight of the light is about 40% lighter than dia casting light
- Usual Voltage is AC100-277V,AC180-528V
- The light power from 80-300watts can replace HID of 200-1000watts
- The light can be contraled by 1-10v DALI dimmable driver,microwave sensor,daylight sensor , ZIGBEE and so on
- 7 installation methods



TM-21 IEC   CE FC 

 **Illuminating**
ENGINEERING SOCIETY

 ACCREDITED
BUSINESS
BBB Rating: A+

80-100W TECHNICAL PARAMETERS:

System Power Usage	80 W±5%	100 W±5%
Lumen Output	10,400lm 11,200lm	13,000lm 14,000lm
Luminous efficiency	130lm/w, 140lm/w	
Led Brand	PHILIPS, LG, NICHIA	
Input Voltage	100-240VAC Max277VAC	
Power Frequency	47-63Hz	
Power Factor	> 0.93	
Total Harmonic Distortion	<15%	
Dimmable	Yes(optional)	
CCT	3000K, 4000K, 5000K, 5700K, 6500K	
CRI	> 80Ra	
Beam Angle	60°/90°/120°	
Finish	Black/White	
PowerSupply	MeanWell	
Material	Pure aluminum	
Operating Temperature	(-30~+50℃)	
Storage Temperature	(-40~+70℃)	
Operating Humidity	15-90%RH	
Lifespan	54000+Hours	
Ingress Protection	IP65	
Net Weight	2.9KG±0.5	
Gross Weight	3.7KG±0.5	
Lamp Dimension	260*H132.5mm	
Package Size	L310*W310*H200mm	

120-150W TECHNICAL PARAMETERS:

System Power Usage	120 W±5%	150 W±5%
Lumen Output	15,600lm 16,800lm	19,500lm 21,000lm
Luminous efficiency	130lm/w, 140lm/w	
Led Brand	PHILIPS, LG, NICHIA	
Input Voltage	100-240VAC Max277VAC	
Power Frequency	47-63Hz	
Power Factor	> 0.93	
Total Harmonic Distortion	<15%	
Dimmable	Yes(optional)	
CCT	3000K, 4000K, 5000K, 5700K, 6500K	
CRI	> 80Ra	
Beam Angle	60°/90°/120°	
Finish	Black/White	
PowerSupply	MeanWell	
Material	Pure aluminum	
Operating Temperature	(-30~+50℃)	
Storage Temperature	(-40~+70℃)	
Operating Humidity	15-90%RH	
Lifespan	54000+Hours	
Ingress Protection	IP65	
Net Weight	3.5KG±0.5	
Gross Weight	4.3KG±0.5	
Lamp Dimension	260*H148.5mm	
Package Size	L310*W310*H215mm	

180-240W TECHNICAL PARAMETERS:

System Power Usage	180 W±5%	200 W±5%	240 W±5%
Lumen Output	23,400lm 25,200lm	26,000lm 28,000lm	31,200lm 33,600lm
Luminous efficiency	130lm/w, 140lm/w		
Led Brand	PHILIPS, LG, NICHIA		
Input Voltage	100-240VAC Max277VAC		
Power Frequency	47-63Hz		
Power Factor	> 0.93		
Total Harmonic Distortion	< 15%		
Dimmable	Yes(optional)		
CCT	3000K, 4000K, 5000K, 5700K, 6500K		
CRI	> 80Ra		
Beam Angle	60°/90°/120°		
Finish	Black/White		
PowerSupply	MeanWell		
Material	Pure aluminum		
Operating Temperature	(-30~+50℃)		
Storage Temperature	(-40~+70℃)		
Operating Humidity	15-90%RH		
Lifespan	54000+Hours		
Ingress Protection	IP65		
Net Weight	5.4KG±0.5		
Gross Weight	6.4KG±0.5		
Lamp Dimension	320*H151.5mm		
Package Size	L390*W390*H220mm		

PRODUCT ASEMBLING DRAWING:



MOUNTING OPTIONS:



Hook Mount
(100-277V only)



Hook for North America
(100-277V only)



Dimmable:
1-10V:(100-277V & 347V-480V)
Dali:(100-277V)



Flood Light Bracket adjustable angle
(100-277V & 347V-480V)

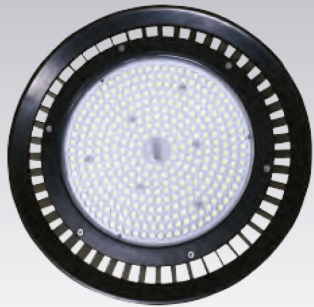


Flood Light Bracket adjustable angle
(100-277V only)



Type U Bracket
(100-277V & 347V-480V)

ACCESSORIES:



Lens

60°,90°

(100-277V & 347V-480V)
(80-300W,130Lm/W,UGR<25)



With anti-collision wire netting
(100-277V & 347V-480V)
(80-300W,130Lm/W)



PC

16",22"

(410mm,570mm)

Cover

60°,90°

(100-277V & 347V-480V)
(80-300W,UGR<25)

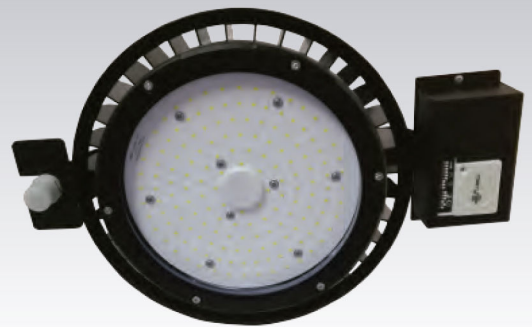


AL



Ip65 Motion Sensor

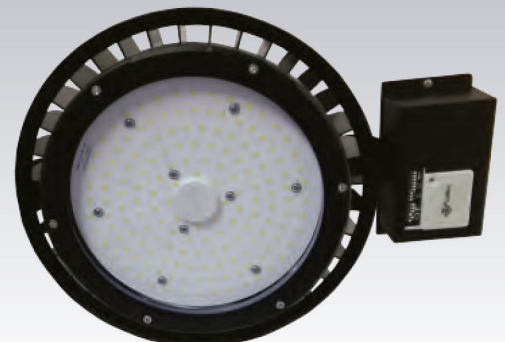
MotionSensor Available
(100-277V & 347V-480V)
(80-300W,UGR<25)



Motion or Daylight Sensor



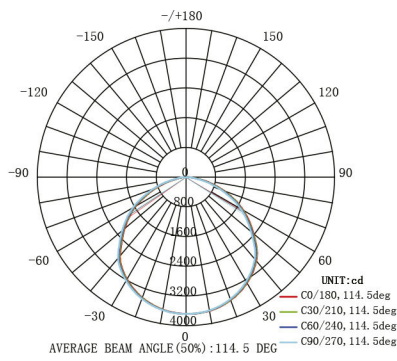
Daylight Sensor



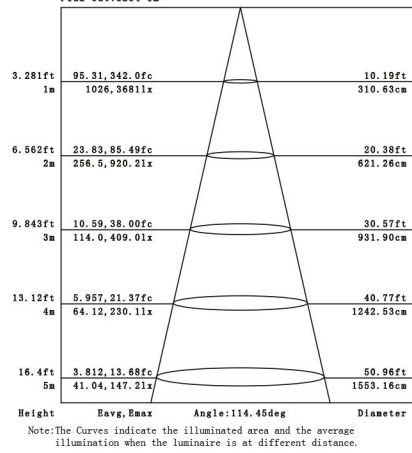
Ip40 Motion Sensor

DISTRIBUTION DIAGRAM:

LUMINOUS INTENSITY DISTRIBUTION DIAGRAM

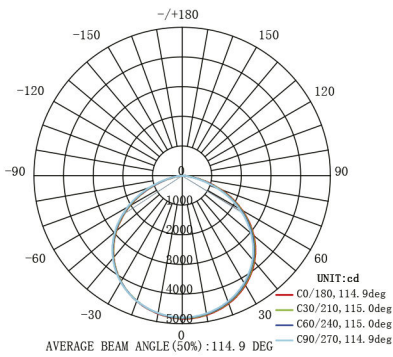


Flux out:8254 lm

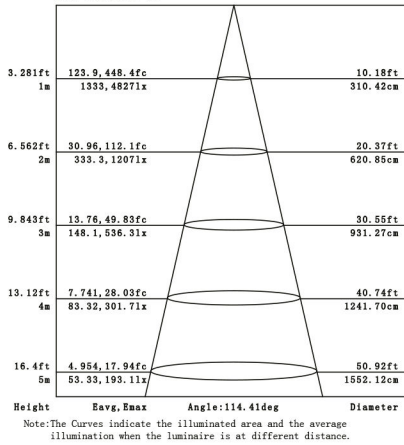


80W

LUMINOUS INTENSITY DISTRIBUTION DIAGRAM

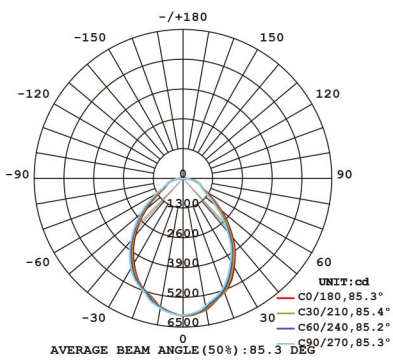


Flux out:10726 lm

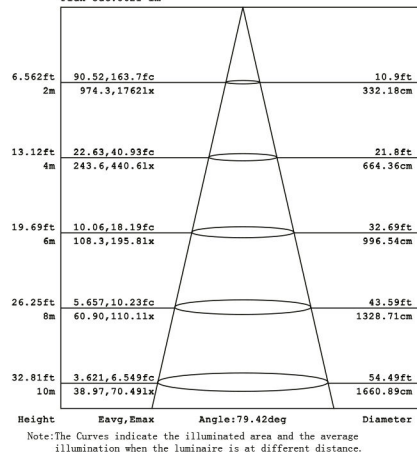


100W

LUMINOUS INTENSITY DISTRIBUTION DIAGRAM

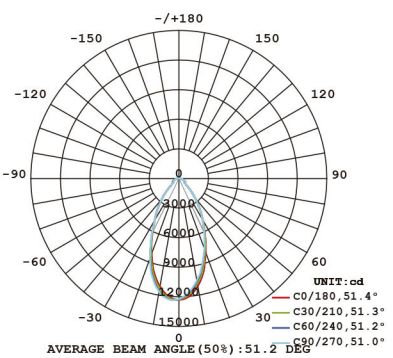


Flux out:8621 lm

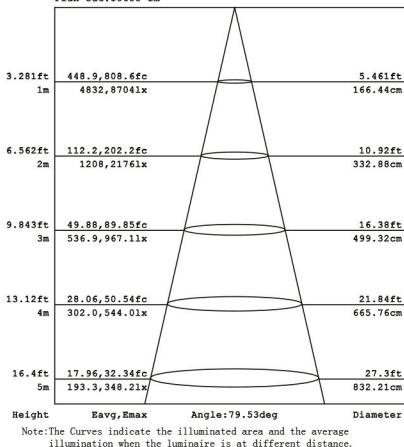


100W/90°

LUMINOUS INTENSITY DISTRIBUTION DIAGRAM



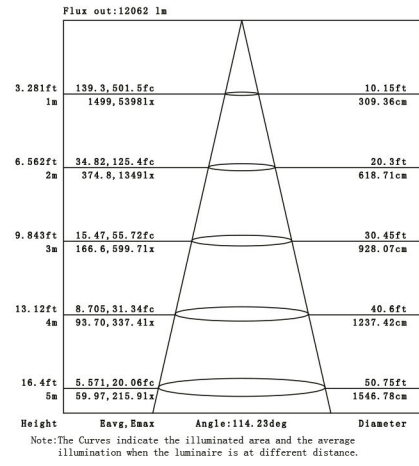
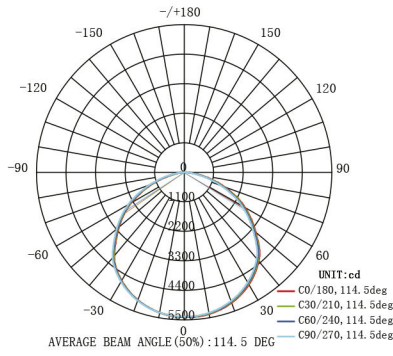
Flux out:10688 lm



100W/60°

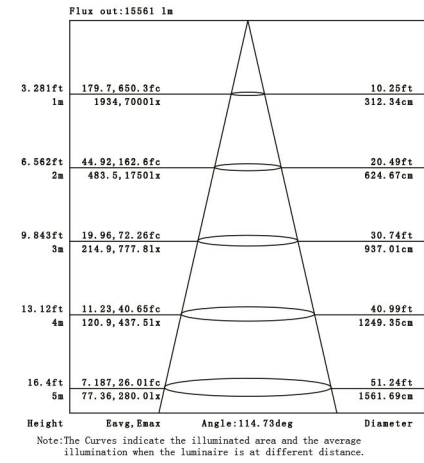
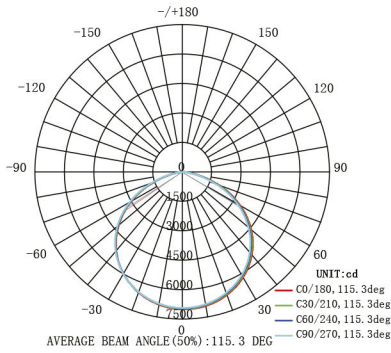
DISTRIBUTION DIAGRAM:

LUMINOUS INTENSITY DISTRIBUTION DIAGRAM



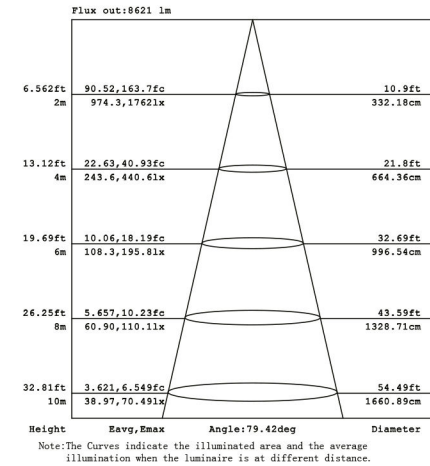
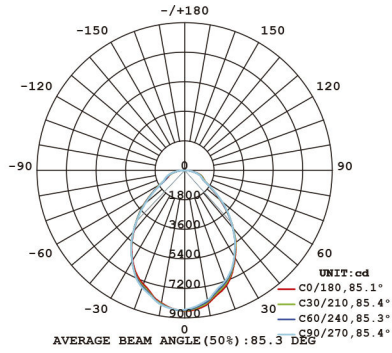
120W

LUMINOUS INTENSITY DISTRIBUTION DIAGRAM



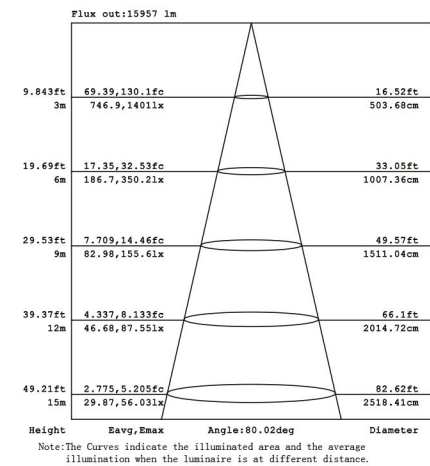
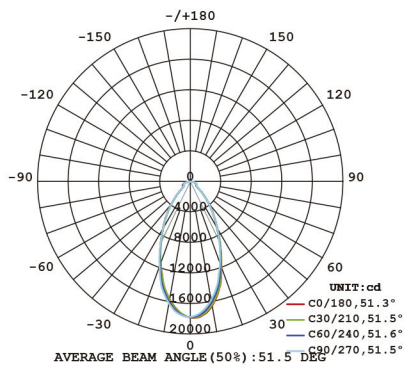
150W

LUMINOUS INTENSITY DISTRIBUTION DIAGRAM



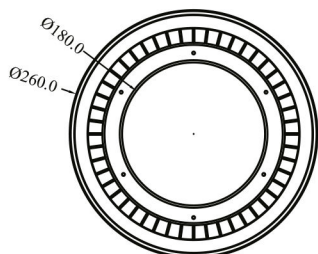
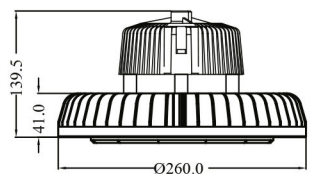
150W/90°

LUMINOUS INTENSITY DISTRIBUTION DIAGRAM

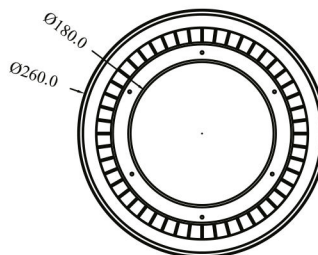
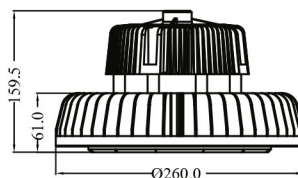


150W/60°

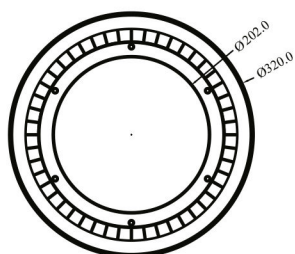
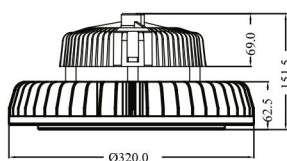
DIMENSION:



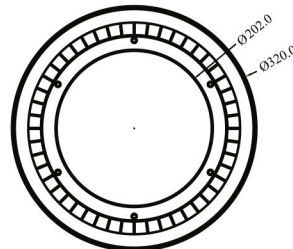
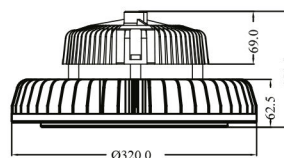
100W



150W



180W

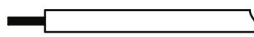


240W

⚡ Wiring Diagram

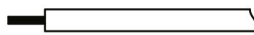
brown(black)

--L--

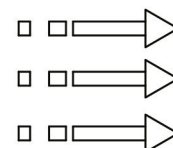
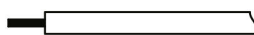


blue(white)

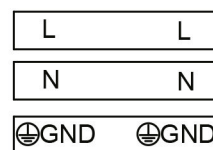
--N--



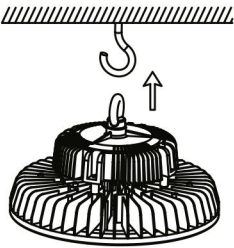
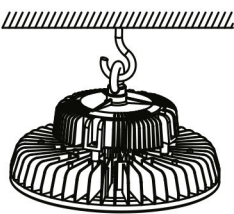
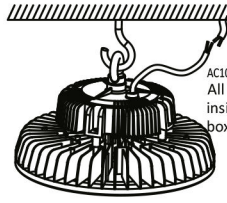
yellow/green

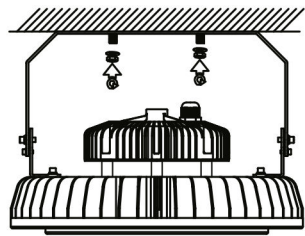
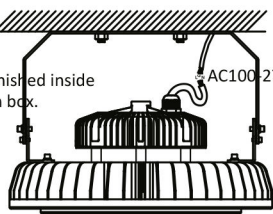
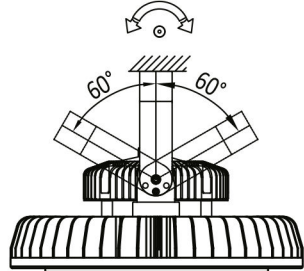


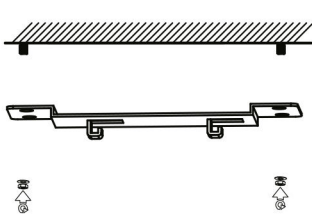
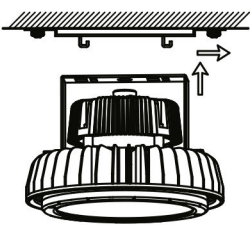
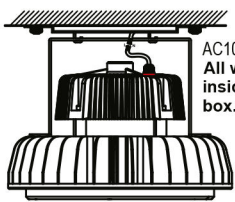
label

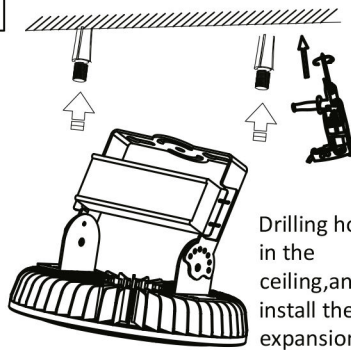
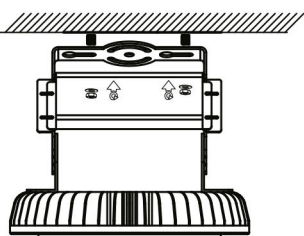
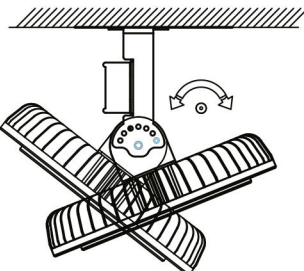


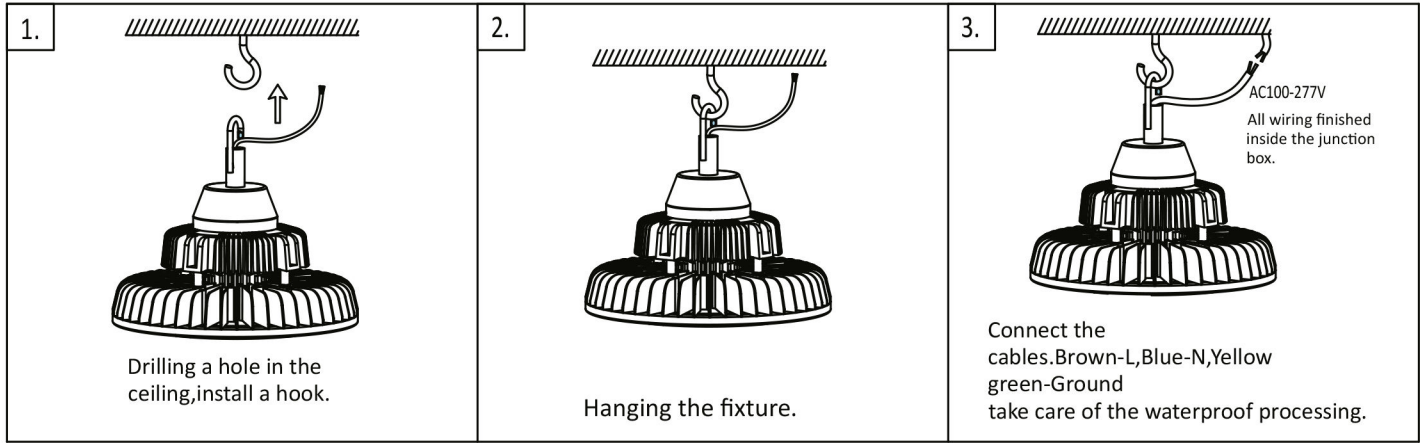
INSTALLATION:

<p>1.</p>  <p>Drilling a hole in the ceiling, install a hook</p>	<p>2.</p>  <p>Hanging the fixture.</p>	<p>3.</p>  <p>AC100-277V All wiring finished inside the junction box.</p> <p>Connect the cables. Brown-L, Blue-N, Yellow green-Ground take care of the waterproof processing.</p>
---	---	--

<p>1.</p>  <p>Fix the bracket.</p>	<p>2.</p>  <p>All wiring finished inside the junction box.</p> <p>AC100-277V</p> <p>Connect the cables. Brown-L, Blue-N, Yellow green-Ground take care of the waterproof processing.</p>	<p>3.</p>  <p>Adjust the bracket to the beam angle you need.</p>
---	---	---

<p>1.</p>  <p>Fix ceiling bracket well with expansion screw</p>	<p>2.</p>  <p>Install highbay (which installed U shape bracket well) on the ceiling bracket</p>	<p>3.</p>  <p>AC100-277V All wiring finished inside the junction box.</p> <p>Connect the cables. Brown-L, Blue-N, Yellow green-Ground take care of the waterproof processing.</p>
--	--	--

<p>1.</p>  <p>Drilling holes in the ceiling, and install the expansion screws</p>	<p>2.</p>  <p>Fix the bracket.</p>	<p>3.</p>  <p>Adjust the bracket to the beam angle you need.</p>
--	---	---



WARNING:

- To avoid damage,falling,electric shock or fire,please do not modify the lamp or replace accessories without confirming with the supplier first.
- Please authorize only qualified personnel to install the lamp and ensure they follow the instruction manual. Any improper installation might cause falling,electric shock,fire, or other injury,damage or hazard.
- Please disconnect power before installation or any maintenance of the lamp.
- Please disconnect power if it begins to smoke or emit odors, since fire or electric shock may occur. Ask qualified person to inspect and maintain the luminaire.
- Please do not dismantle the lamp without the supplier's authorization.
- Please do not touch the power supply when the lamp is operating.
- If the external flexible cable or cord of the luminaire is damaged, it should only be replaced by the supplier, a service agent or qualified person.

WARRANTY:

- Five-year warranty. Free maintenance will be provided during the warranty period if the lamp suffers quality problems. The client is responsible for the costs and quality of lamp installation.
- During the warranty period, the client shall send the damaged goods or failed parts for inspection and repair by the supplier. The supplier shall then send the fixed or new parts back. The sending party shall bear any freight costs accordingly.
- Maintenance service will be provided once valid documents are presented.
- The following circumstances will not attract free maintenance:
 - a.Damage caused by human beings, including, but not limited to,damage from abnormal working conditions, improper usage, storage that does not conform to the instruction manual;
 - b.Dismantling or modification or improper maintenance or repairing of the products without the supplier's authorization;
 - c.NO valid documents;
 - d.Damages caused by user's improper delivery, or force majeure including, but not limited to, fire flood, thunder hit, earthquake.
- The vendor has the sole right to interpretation and amendment of the above articles.



Infinitum Energy

LED Lighting and Solar Systems

Space Series LED High Bay
581 Lancaster , St West Kitchener
Ontario, N2K 1M52 CA